

# LOW BAY RETROFITS



 120-277V VOLTAGE**	 EX39 MOGUL BASE TYPE	 UL TYPE B BALLAST BYPASS INSTALL METHOD	 -40°-122°F OPERATING TEMP	 ACTIVE COOLING	 6kA SURGE PROTECTION	 80+ CRI	 L70 >50,000 RATED LIFE	 YEAR 5 WARRANTY
---	--	--	---	---	---	---	---	--

## pinpoint light distribution



- 45W and 75W models replacing up to 250W HID
- 120° light distribution with angled LED panels deliver light where it is needed most
- Includes a fan and thermal sensor to run cool and ensure a long and bright life
- Rated for enclosed fixtures and damp locations with an insect and dust resistant housing
- USA designed and specified driver
- Available in 3000, 4000 and 5000K\*

designed from the base up with DLC qualifications in mind



MODEL #	UPC	REPLACES	W	LUMENS	LPW	CCT (K)
LED-8056M50-A	844006082888	Up to 175W	45W	6525	135	5000K
LED-8057M50-A	844006082901	Up to 250W	75W	9236	140	

\*See page 2 for additional color temperatures.

\*\*See page 2 for 347V models. 



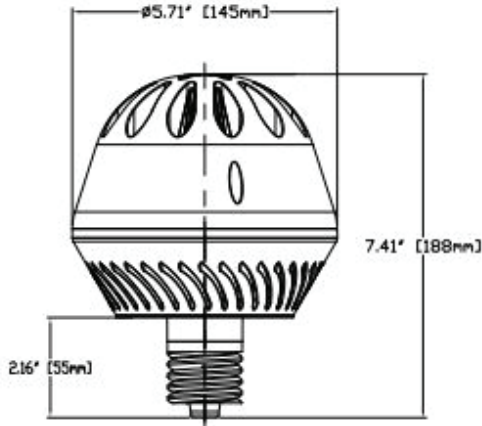
FOR PRODUCT INFO ("LED" MODEL #) CONTACT.....Light Efficient Design • 188 S. Northwest Highway • Cary, IL 60013 • 847.380.3540 • led-llc.com  
 FOR PRODUCT INFO ("RP" MODEL #) CONTACT.....RemPhos by Light Efficient Design • 30 Log Bridge Road, Building 200 • Middleton, MA 01949 • 877.997.3674 • remphos.com

3.13.19 Information is subject to change without notice.

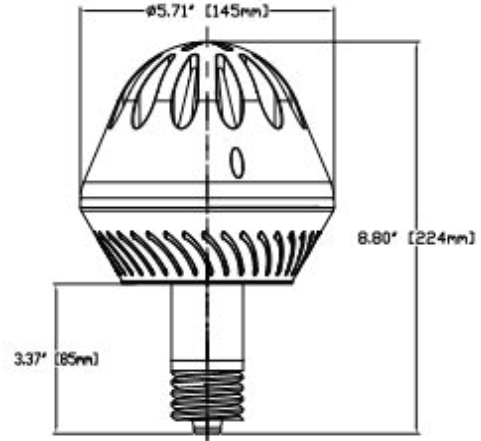
# LOW BAY RETROFITS



LED-8056M50-A



LED-8057M50-A



MODEL #	UPC	REPLACES	W	LUMENS	CCT (K)	DLC PRODUCT CODES
LED-8056M30-A	844006083144	Up to 175W HID	45W	5526	3000K	PL4Y650Q
LED-8056M40-A	844006082871			5334	4000K	P785KZYS
LED-8056M50-A	844006082888			6526	5000K	PY2VZEB6
LED-8057M30-A	844006083168	Up to 250W HID	75W	8670	3000K	PVGFSFVG
LED-8057M40-A	844006082895			9607	4000K	P41LABR0
LED-8057M50-A	844006082901			9236	5000K	PPQY9L0Q
CANADA 347V						
LED-8056M30C-A	844006083151	Up to 175W HID	45W	5194	3000K	P11A2WSF
LED-8056M40C-A	844006082918			5504	4000K	PZZDKQ2R
LED-8056M50C-A	844006082925			5623	5000K	PT105XLW
LED-8057M30C-A	844006083175	Up to 250W HID	75W	8670	3000K	P1B3V6FH
LED-8057M40C-A	844006082932			9607	4000K	P312SR2G
LED-8057M50C-A	844006082949			9236	5000K	PMSZPZGP



FOR PRODUCT INFO ("LED" MODEL #) CONTACT.....Light Efficient Design • 188 S. Northwest Highway • Cary, IL 60013 • 847.380.3540 • led-llc.com  
 FOR PRODUCT INFO ("RP" MODEL #) CONTACT.....RemPhos by Light Efficient Design • 30 Log Bridge Road, Building 200 • Middleton, MA 01949 • 877.997.3674 • remphos.com

3.13.19 Information is subject to change without notice.